



"Regular" Series SG-B

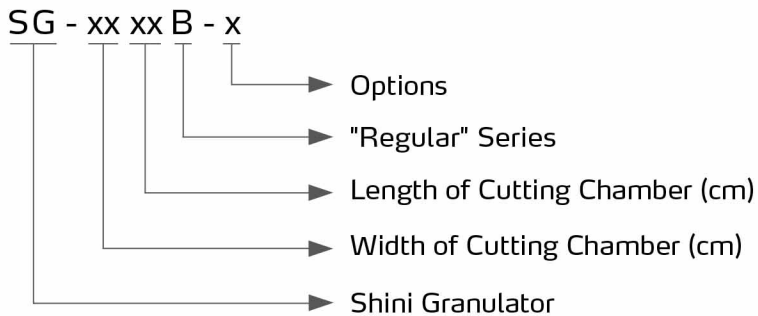
SG-4390B



Refer carefully to this manual before operation.

SG-B Series

■ Coding Principle



■ Features

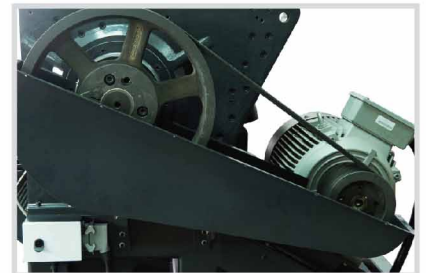
- Rotating cutters adopt V-type cutting technology which can send the feeding material into the center of rotating cutters so to prevent the material from adhering onto the inner side of the cutting chamber while enhancing its wearability.
- The cutters are made of high quality steel featuring wearability, high rigidity, long service life and reusable after re-sharpening.
- Cutting chamber made of high rigidity material, after processing by CNC machine, has the features like high intensity, super wearability, no contamination, long service life and easy for maintenance and repairing.
- Sound-proof feeding box reduces the noise level in operation, also equips a safety material checking curtain which ensures no material sprinkling during granulating.
- V-type transmission belts help maintain a balanced operation mode, close contact, and also easy to disassemble and repair.
- Both feeding hopper and screen cradle can be opened and closed by the electronic handspike system which ensures safe operation.
- Cooling water device at the rear plate of cutting chamber can effectively cool down the cutting chamber and prevent the inside material from melting up.
- The presetting knife jig, which enables to reshape of the blades and installation without too much cost and time.
- Standard equipped with smart energy-saving control system that can save up to 20%~40% of energy consumption compared with similar machines on the market under the same work condition. The system monitors the load of granulator, and automatically adjusts the input current and voltage precisely, enabling the motor to work at the best energy efficiency. The built-in soft start function can effectively reduce the motor starting current, lower the temperature rise, and prolong the motor service life.

■ Application

SG-B series granulators are applicable to granulate various kinds of plastic materials from injection molding, blow molding or extrusion molding.



Screen and screen bracket



Heavy duty transmission design



High quality crushing chamber



Presetting Knife Jig



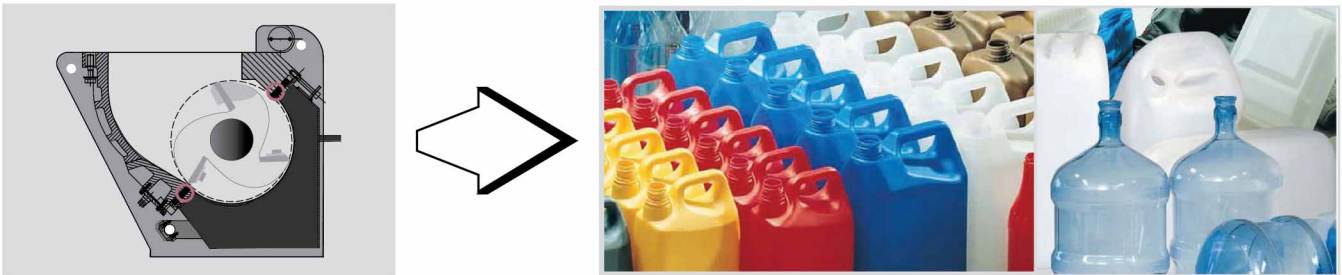
Smart energy-saving control system

Different Cutting Angles for Different Materials

When granulating different kinds of plastic wastes, such as plates, frames, die head from injection molding, sprues and pipes, etc, SG-50B series have two kinds of cutting angles for different materials.

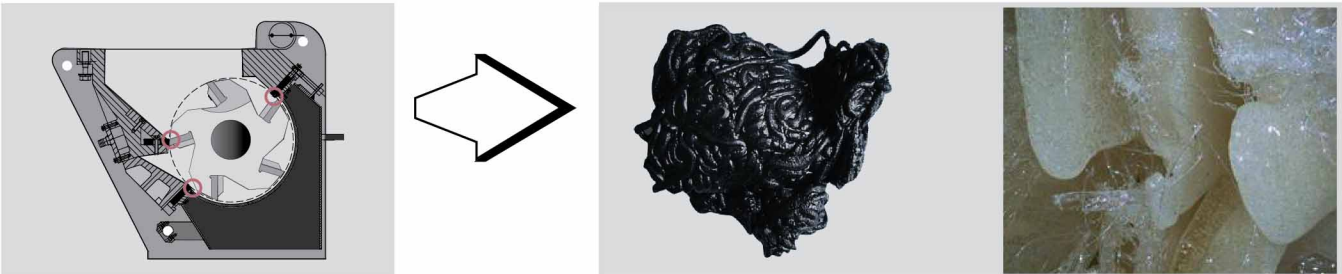
3 Rotating Blades and 2 Fixed Blades (Standard Type)

Two rows of fixed blades model has big inlet space and initially low cutting point. Material can be easily grabbed and cut thus making this rotor/housing combination ideal for the granulation of hollow objects such as bottles, crates and drums as well as large bulky materials.



5 Rotating Blades and 3 Fixed Blades

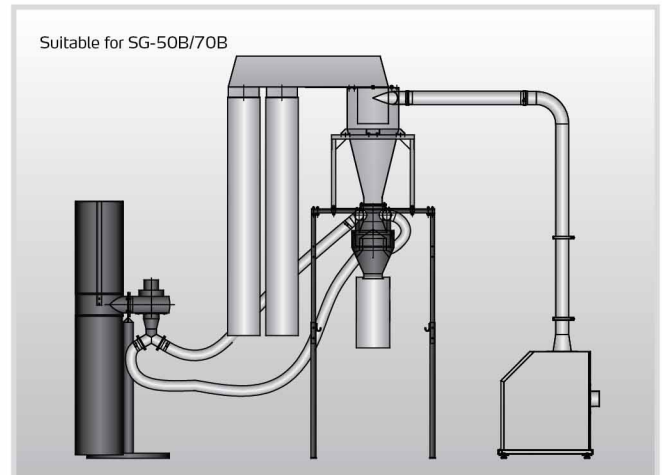
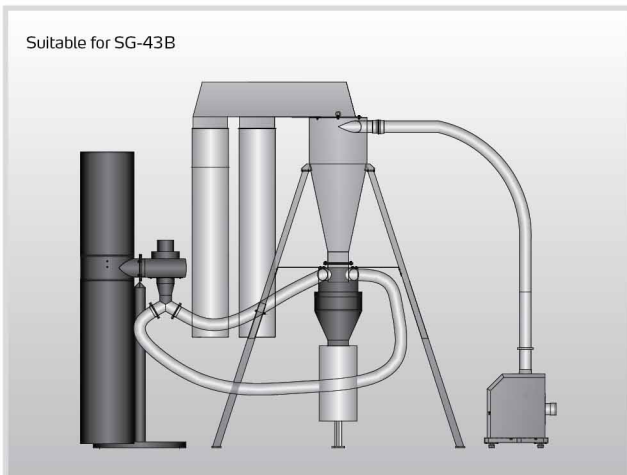
This semi-closed rotor has much smaller spaces between the blade rows thus preventing material from falling into the rotor and 3 fixed blades design which restricts the inlet opening and moves the initial cutting point higher in the machine, there is consequently a less aggressive cutting action meaning no blockage or rotor stall even under the most extreme conditions. These massive, extremely robust rotors are ideally suited for difficult, heavy duty applications such as start-up lumps and head waste, thick walled pipes, heavy sheets etc.



Options

Dust-separating system

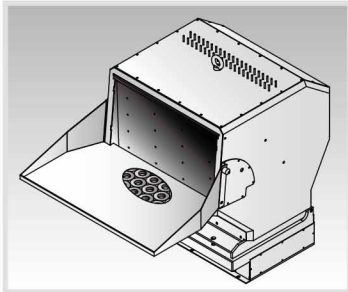
Optional dust-separating system to remove the dusts in the material, and add "DS" at the end of the model code.



SG-B Series

Options

Feed Hopper with Magnet



Feed hopper with magnet is used to take out metal craps and impurities in the material. (Suitable for SG-43B)
Add "FHM" at the end of the model code;

Special Screen



Φ8, Φ10, Φ17, Φ25(mm) are optional for SG-43B;
Φ8, Φ10, Φ14, Φ17, Φ25(mm) are optional for SG-50B;
Φ10, Φ14, (mm) are optional for SG-70B.
add "SS + screen diameter" at the end of the model code, e.g.: Φ8mm, add "SS08".

Flywheel



Increase inertia, thereby increasing the cutting ability, at the same time it can offer a more balanced force and longer service life.
Add "FW" at the end of the model code.

Separate Conveying Blower



SG-43B



SG-50B/70B

Material Side Feed Pipe



The design of feeding hopper of traditional granulators is not suitable for longer pipes and section bars. We have designed material side feed pipe for convenient feeding of long materials.
Add "SF" at the end of the model code.

The blower stands outside the machine. Without restriction of the inner space of the machine, customer can choose different kinds of blowers. Add "SC" at the end of the model code.

Feeding Hopper for Conveyor

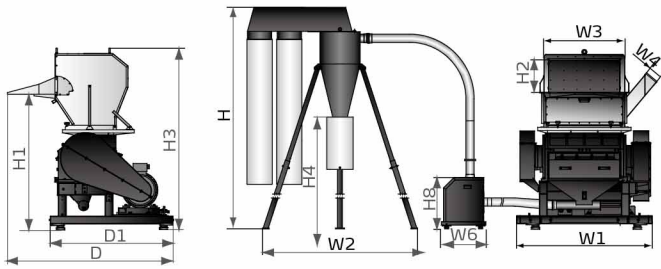


Material feeding for traditional large granulators is quite a difficult matter. They are generally installed at a lower place or a platform must be built for material feeding. Shini has particularly designed the belt conveyor to easily convey the material into the cutting chamber of SG-43 series.

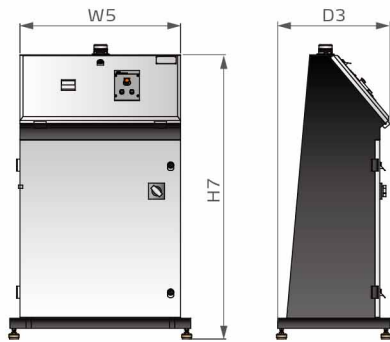
Add "BCF" at the end of the model code.

- The function of fiber reinforced material granulating is optional. Adopt surface-hardening treatment on the material contacting component. Blade material is V-4E joint with S50C, and add "F" at the end of the model code.
- Full-receive alarm device helps to realize unmanned operation and no materials will be wasted, and add "FAD" at end of the model code.
- For stainless steel made feed hopper cover plate and storage tank, Add "R" at end of the model code.
- Higher-power conveying blower is optional, add "ECB" at the end of model code.
- Higher-power motor is optional, add "H" at the end of model code.
- For models optional with three fixed plus five rotating blades (refer to the specifications), add "FT" at the end of the model code.

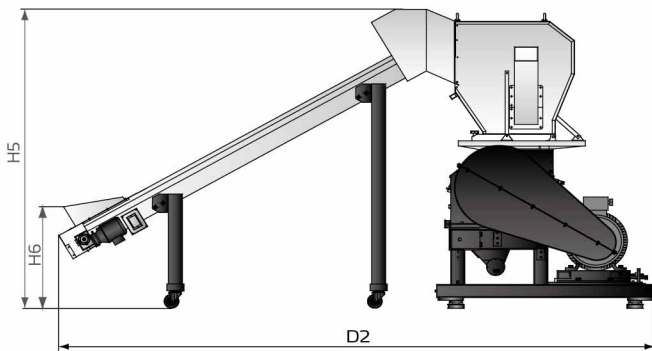
Outline Drawings(SG-43B)



Separated blower is optional



Control box



Conveyor belt is optional

Specifications(SG-43B)

Model	SG-4360(H)B	SG-4390(H)B	
Motor Power (kW, 50/60Hz)	30/34(37/41.5)	37(41.5)/45(51)	
Conveying Blower (kW, 50/60Hz)	○(2.2/2.55)	○(2.2/2.55)	
Rotating Speed (rpm, 50/60Hz)	525/630	525/630	
Quantity of Fixed Blades	2 x 1	2 x 2	
Quantity of Rotating Blades(Optional)	3 x 1 (5 x 1)	3 x 2 (5 x 2)	
Cutting Chamber (mm)	430 x 600	430 x 900	
Max. Output (kg/hr)	800	1000	
Noise Level dB dB(A)	105-110	105-110	
Material of Blades	SKD11	SKD11	
Screen Dia.	Φ12 mm	Φ12 mm	
Increased Material Conveying Blower Power (kW)	○(7.5)	○(7.5)	
Dimensions	H (mm)	2710-3155	2710-3155
	H1 (mm)	1708	1708
	H2 (mm)	430	430
	H3 (mm)	2260	2260
	H4 (mm)	1240-1690	1240-1690
	H5 (mm)	2277	2277
	H6 (mm)	750	750
	H7 (mm)	1416	1416
	H8 (mm)	636(970)	636(970)
	W1 (mm)	1390	1690
	W2 (mm)	1900-2310	1900-2310
	W3 (mm)	600	900
	W4 (mm)	160x160	160x160
W5 (mm)	800	800	
W6 (mm)	552(630)	552(630)	
D (mm)	1978	1978	
D1 (mm)	1553	1553	
D2 (mm)	4300	4300	
D3 (mm)	560	560	
Weight (kg)	2300 (2350)	2630 (2680)	

Notes: 1) "○" stands for optional.

2) SKD11 is steel grade of Japanese JIS standard.

3) Max. capacity of the machine is subject to diameter of screen mesh and composition of the material.

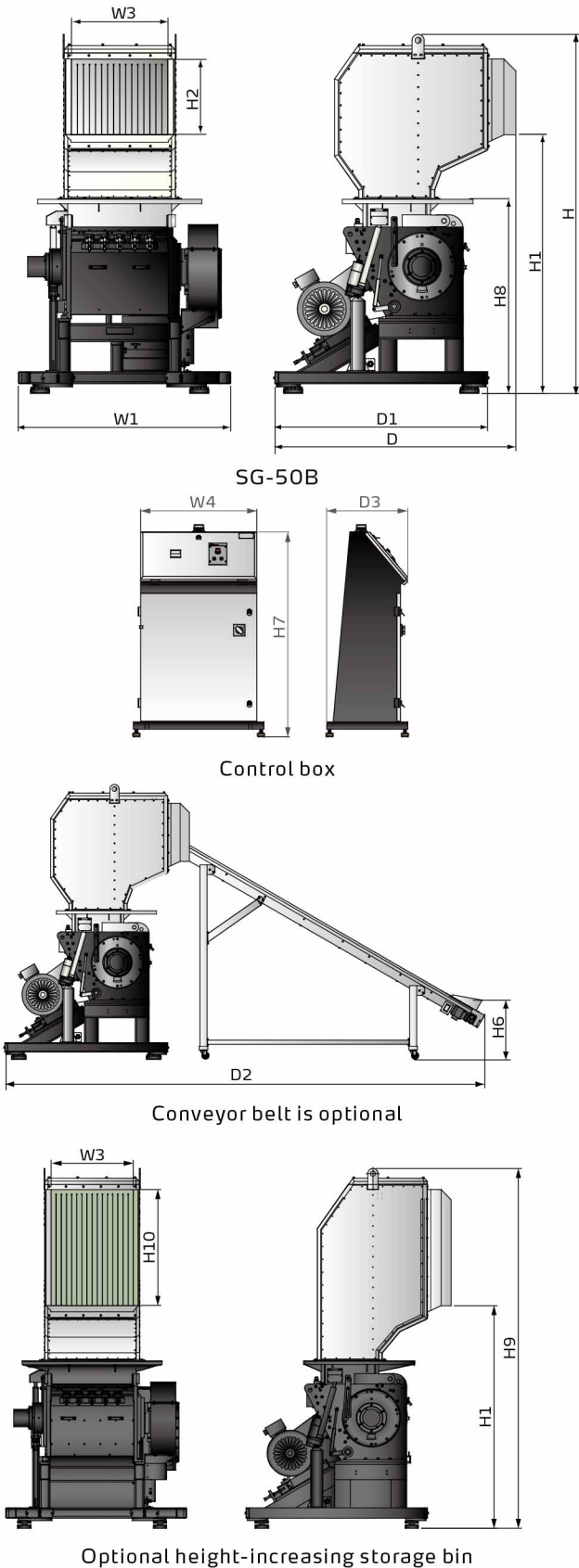
4) Noise level varies with different materials and motor types.

5) Noise level is tested under conditions of 1m around the machine and 1.6m from the ground.

6) Power supply : 3Φ, 230/400/460, 50/60Hz.

SG-B Series

Outline Drawings(SG-50B)

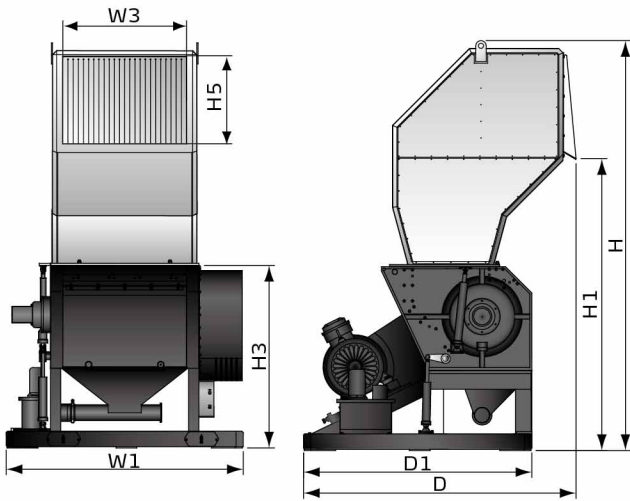


Specifications(SG-50B)

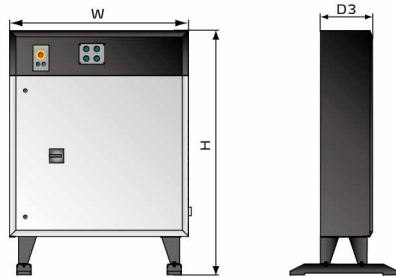
Model	SG-5080B	SG-50110B
Motor Power	37	45
Rotating Speed (rpm, 50/60Hz)	525/630	525/630
Feeding blower (50/60Hz)	7.5/8.5	7.5/8.5
Handspike motor (50/60Hz)	0.32/0.37	0.32/0.37
Material of Blades	SKD11	SKD11
Quantity of Fixed Blades (Optional)	2 x 2(5 x 2)	2 x 2(3 x 2)
Quantity of Rotating Blades (Optional)	3 x 2(5 x 2)	3 x 2(5 x 2)
Cutting Chamber(mm)	500 x 800	500 x 1100
Max. Output (kg/hr)	1100	1500
Noise Level dB(A)	110~115	110~115
Cooling Water Device	●	●
Height-increasing storage bin(mm)	Φ12 mm	Φ12 mm
Screen Dia.(mm)	○	○
Dimension	H (mm)	2980
	H1 (mm)	2170
	H2 (mm)	620
	H6 (mm)	690
	H7 (mm)	1416
	H8 (mm)	1630
	H9 (mm)	3500
	H10 (mm)	1190
	W1(mm)	1760
	W3(mm)	800
W4 (mm)	800	
D (mm)	2000	
D1 (mm)	1740	
D2 (mm)	5470	
D3 (mm)	560	
Weight (kg)	3130	3780

- Notes: 1) "●" stands for standard, "○" stands for options, "-" stands for none.
 2) SKD11 is steel grade of Japanese JIS standard.
 3) Maximum output is subject to the diameter and material of screen mesh. For granulating frame and shell material, maximum output will be reduced about 50%.
 4) Noise level varies with different materials and motor type.
 5) Noise level is tested under conditions of 1m/3.3Feet around the machine and 1.6m/5.2Feet from the ground.
 6) To avoid plastics from sticking to the blades, all materials should be crushed at normal temperature.
 7) Power supply: 3Φ, 230/400/460/575VAC, 50/60Hz.

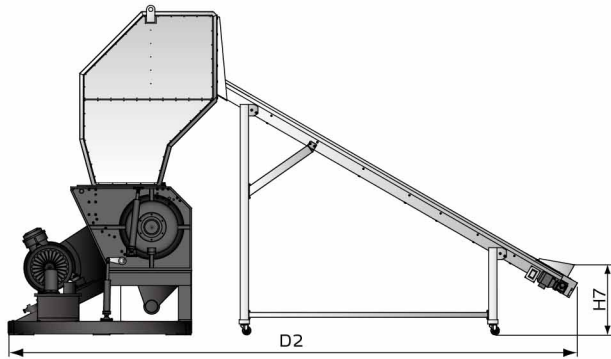
Outline Drawings(SG-70B)



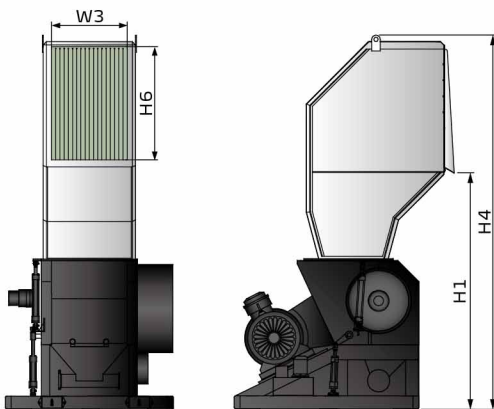
SG-70B



Control box



Conveyor belt is optional



Optional height-increasing storage bin

Specifications(SG-70B)

Model	SG-7090B	SG-70120B	
Motor Power	75	90	
Rotating Speed (rpm,50/60Hz)	525	525	
Conveying Blower(kW,50/60Hz)	7.5	7.5	
Motor power hydraulic system(kW)	1.5	1.5	
Material of Blades	SKD11	SKD11	
Quantity of Fixed Blades(option)	2 × 2(3 × 2)	2 × 2(3 × 2)	
Quantity of Rotating Blades(option)	3 × 2(5 × 2)	3 × 2(5 × 2)	
Cutting Chamber(mm)	700 × 900	700 × 1200	
Screen Dia.(mm)	φ12	φ12	
Max. Output(kg/hr)	1300	1800	
Noise Level dB(A)	120	120	
Height-increasing storage bin	○	○	
Dimension	H (mm)	3950	3950
	H1 (mm)	2815	2815
	H3 (mm)	1770	1770
	H4 (mm)	4450	4450
	H5 (mm)	900	900
	H6 (mm)	1400	1400
	H7 (mm)	846	846
	D(mm)	2625	2625
	D1(mm)	2200	2200
	D2(mm)	6840	6840
	D3(mm)	290	290
	W1 (mm)	2000	2300
	W3 (mm)	900	1200
Weight (kg)	5120	6930	
Control box (W×H×D)(mm)	1000×1365×290		

- Notes: 1) "●" stands for standard, "○" stands for options, "-" stands for none.
 2) SKD11 is steel grade of Japanese JIS standard.
 3) Maximum output is subject to the diameter and material of screen mesh. For granulating frame and shell material, maximum output will be reduced about 50%.
 4) Noise level varies with different materials and motor type.
 5) Noise level is tested under conditions of 1m/3.3Feet around the machine and 1.6m/5.2Feet from the ground.
 6) To avoid plastics from sticking to the blades, all materials should be crushed at normal temperature.
 7) Power supply: 3Φ, 230/400/460/575VAC, 50/60Hz.

Shini Group

Addr: No. 23, Minhe St., Shulin Dist.,
New Taipei, Taiwan

Tel: +886 2 2680 9119

Fax: +886 2 2680 9229

Email: shini@shini.com

Factories:

- Taiwan
- Dongguan
- Pinghu
- Ningbo
- Chongqing
- Pune

2026-03-15-04 Copyrights Reserved.

www.shini.com